

**FEATURES**

- The FLOWTRONIC<sup>D</sup> consists of a fast, direct-acting 2-port proportional valve, a pressure sensor unit and digital control electronics
- Especially designed for applications placing extreme dynamic demands on flow control
- Control and maintenance of constant and even flow, irrespective of outside influences
- Precise measurement of flow with two sensors
- Adaptable to different applications due to the use of digital control electronics that can be configured by PC over a USB interface
- Auto-tune function and ASCO FlowCom PC software provide for quick and easy start-up
- Diagnosis over integrated LEDs or the ASCO FlowCom PC software

**GENERAL**

**Fluid** Air or neutral gas, filtered at 50 µm, without condensate, lubricated or not

**Minimum allowable pressure** 4 bar

**Maximum allowable pressure (MAP)** 8 bar

**Control range** 5 - 2000 l/min (ANR), consult us for other ranges

**Fluid temperature** 0°C to +50°C

**Ambient temperature** 0°C to +40°C

**Setpoint - analog** 0 - 10 V (100 kΩ), 0/4 to 20 mA (resistance 250 Ω)

**Feedback - analog** 0 - 10 V, 0/4 to 20 mA (max. load 500 Ω)

**Flow accuracy**

- Hysteresis** ± 3%
- Linearity** ± 3%
- Repeatability** ± 1,5%

**Calibration conditions**

- Ambient temperature** 22,5°C ±2,5°C
- Fluid** Air

**Dynamic performance**

- Response time** < 200 ms

**Other features** Auto-tune, error display by LED



**CONSTRUCTION**

**Body** Aluminium

**Internal parts** Aluminium, stainless steel and brass

**Seals** NBR (nitrile)

**ELECTRICAL CHARACTERISTICS**

nominal diameter DN	voltage *	max. power (W)	max. current (mA)	insulation class	degree of protection	electrical connection
2, 3, 5 and 6	24 V = +/-10%	30	1250	H	IP65	- 5 pin M12 connector - USB connection with 4 pin M12 connector
8		44	1800			

\* Max. ripple: 10 %

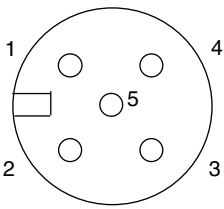
**SPECIFICATIONS**

pipe size	DN	flow <sup>(1)</sup> (l/min - ANR)	max. inlet pressure (bar)	catalogue number					
				with display			without display		
				setpoint / output feedback			setpoint / output feedback		
G				0 - 10 V	0 - 20 mA	4 - 20 mA	0 - 10 V	0 - 20 mA	4 - 20 mA
1/4	2	5 - 50	8	60701073	60701081	60701089	60701074	60701082	60701090
	3	10 - 100	8	60701055	60701063	60701071	60701056	60701064	60701072
		12 - 300	8	60701019	60701027	60701035	60701020	60701028	60701036
	5	20 - 500	8	60701001	60701009	60701017	60701002	60701010	60701018
3/8	6	50 - 1000	8	60701037	60701045	60701053	60701038	60701046	60701054
1/2	8	100 - 2000	8	60701091	60701099	60701107	60701092	60701100	60701108

<sup>(1)</sup> Measurement without flow restriction at the outlet.

00256GB-2011/R01  
Availability, design and specifications are subject to change without notice. All rights reserved.

## CONNECTOR PINNING / CABLE WIRING

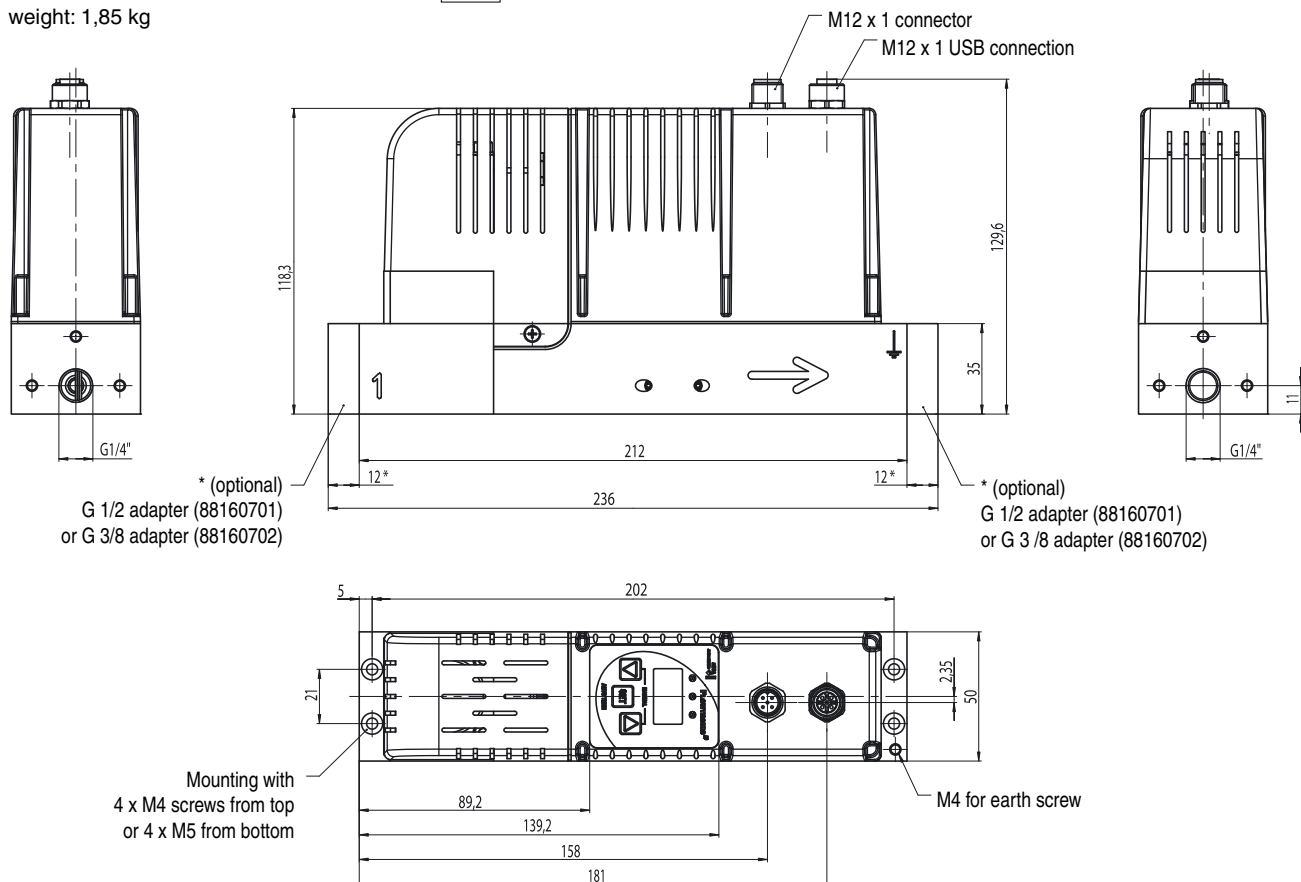


pin	description	5-wire cable (2m)	6-wire cable (5m, 10m)
1	24V voltage supply	brown	brown
2	Analog setpoint input	white	white
3	Supply ground	blue	green
	Analog ground *		yellow
4	Analog output (feedback)	black	pink
5	Digital output (pressure switch)	grey	grey
Body	EMC shield	shield	shield

\*) A 6-wire cable with separate analog ground is used for cable lengths over 2 m to set off the voltage drop for the setpoint.

## DIMENSIONS (mm), WEIGHT (kg)

weight: 1,85 kg



## ACCESSORIES

description	catalogue number
FLOWTRONIC <sup>D</sup> software "ASCO-FlowCom-Light" - CD-ROM	88100895
FLOWTRONIC <sup>D</sup> software "ASCO-FlowCom-Expert" - CD-ROM	88100896
USB cable for connection of FLOWTRONIC <sup>D</sup> to PC	88100897
Straight M12 female connector, 5 pins, with screw terminals	88100256
Supply cable 2 m, 5 x 0,25 mm <sup>2</sup> , straight connector	88100726
Supply cable 5 m, 6 x 0,56 mm <sup>2</sup> , straight connector	88100728
Supply cable 10 m, 6 x 0,56 mm <sup>2</sup> , straight connector	88100730