

FEATURES

- Modular, compact range for all types of pneumatic systems
- Quick installation and connection to systems: filter, regulator and lubricator functions in a "single unit"
- Light weight and robust design for direct installation on rigid piping
- Assembly of additional components without pipes or fittings: with "standard" kits

SPECIFICATIONS

FLUID	: Compressed air or neutral gas			
RANGE	105	107	112	
RACCORDEMENT	G1/8 - G1/4	G1/8 - G1/4	G1/4...G1/2	G3/4
MAX. INLET PRESSURE (5) (bar) at 23°C	12	16	16	16
	10	10	10	12
CONTROLLED PRESSURE (bar)	0,5 - 8	0,5 - 10	0,5 - 10	0,5 - 12
AMBIENT TEMPERATURE (°C)	0°C to +50°C			
MAX. FLOW (Qv at 6,3 bar)	See table below and charts			
REGULATOR	Self-relieving			
LUBRICATION	Selective oil fog			



INDIVIDUAL SPECIFICATIONS AND CONSTRUCTION

■ MONOBLOC MODULAIR 105 range

- Filtering capacity 25 µm (5 µm on request)
- Semi-automatic drain (operating pressure: min. 1.2 bar)
- Regulating device with **rolling** diaphragm (very low hysteresis)
- Lubricator oil refilling unpressurised; screw adjustment
- Integrated by-pass module

■ MODULAIR 107 and 112 ranges

- Filtering capacity 25 µm (5, 10 and 50 µm on request)
- Semi-automatic drain (operating pressure: min. 1.2 bar) or automatic (operating pressure: 2 to max. 10 bar) or manual
- Regulating device with **rolling** diaphragm (very low hysteresis)
- Lubricator oil refilling unpressurised; refilling pressurised on request (Modulair 107 range)
- Lubricator oil refilling unpressurised/pressurised (Modulair 112 range)

CONSTRUCTION AND OPERATING FEATURES: Filter/regulator: see page 17 - Lubricator: see page 23

CHOICE OF EQUIPMENT

Modulair range consists of two components (combined filter/regulator + lubricator, delivered assembled) except for Modulair 105 which consists of monobloc filter/regulator/lubricator

port size	MODULAIR range	bowl capacity (cm³)	controlled pressure (bar)	at upstream pressure (bar)	flow (ANR) at 6.3 bar pressure setpoint and ΔP of 1 bar / setpoint min. (1) max.				code				
					system FR+L				Ø gauge	semi-automatic drain with 0-12 bar gauge (2)		automatic drain with 0-12 bar gauge (2)	
					25 µm	25 µm	25 µm	25 µm		without gauge	without gauge	without gauge	without gauge

Polycarbonate bowls WITH protector

G1/8	105	28	0,5-8	8	20	0,3	400	6,7	40	34225183	34225181	-	-
G1/4	105	28	0,5-8	8	20	0,3	550	9,2	40	34225184	34225182	-	-
G1/8	107	50	0,5-10	8	20	0,3	700	11,7	40	34204131	34204127	-	-
G1/4	107	50	0,5-10	8	20	0,3	1500	22	40	34204132	34204128	-	-
G1/4	112	114	0,5-10	10	20	0,3	3200	53	50	34203290	34203302	34203396	34203393
G3/8	112	114	0,5-10	10	20	0,3	5200	87	50	34203291	34203303	34203397	34203394
G1/2	112	114	0,5-10	10	20	0,3	5600	94	50	34203292	34203304	34203398	34203395

Metal bowls WITH visualization (others versions see page 26)

G3/4 (3)	112	114	0,5-12	10	20	0,3	5600	94	50	34203B67	34203B66	34203B59	34203B58
G3/4 (4)	112	114	0,5-12	10	20	0,3	5600	94	50	34203C08	34203C07	34203B99	34203B98

Polycarbonate bowls WITHOUT protector

G1/8	105	28	0,5-8	8	20	0,3	400	6,7	40	34225103	34225101	-	-
G1/4	105	28	0,5-8	8	20	0,3	550	9,2	40	34225104	34225102	-	-
G1/8	107	50	0,5-10	8	20	0,3	700	11,7	40	34204137	34204133	-	-
G1/4	107	50	0,5-10	8	20	0,3	1500	22	40	34204138	34204134	-	-
G1/4	112	114	0,5-10	10	20	0,3	3200	53	50	34203314	34203326	34203402	34203399
G3/8	112	114	0,5-10	10	20	0,3	5200	87	50	34203315	34203327	34203403	34203400
G1/2	112	114	0,5-10	10	20	0,3	5600	94	50	34203316	34203328	34203404	34203401

(1) Minimum for lubricator startup

- (2) 0-10 bar pressure gauge in Modulair 105 range
0-10 bar pressure gauge in Modulair 107-112 range (except G3/4)
0-10 bar pressure gauge in Modulair 112 G3/4 range

(3) Non intended for the combination

(5) P max= 10 bar for version with automatic drain

(4) Version intended for the combination of various functions (FRL - isolation valve etc ...), select the desired functions and obtain the necessary assembly kits and mounting brackets (see page 42)

INSTALLATION - MAINTENANCE

Systems must be installed with the bowls in vertical position (at the bottom)

Air flow direction indicated by arrow and "IN" - "OUT" marking on body (Modulair 105)

Recommended type of oil: non-detergent and without aggressive additives, viscosity VG32 (ISO 3448)

Use an alkaline solution (soapy water) and not a solvent for cleaning the polycarbonate bowls and sight glasses

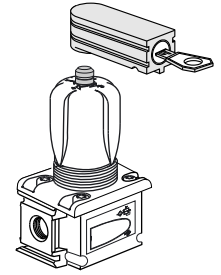
ISOLATION VALVE, SHUT-OFF VALVE AND SOFT-START UNIT (see following pages)

ACCESSORIES voir page 42

OPTIONS

FOR FILTER/REGULATOR

- Additional by-pass insert, 4/6 tube for Modulair 105 - code **685006**
- Metal bowl equipped with semi-automatic, automatic or manual drain for Modulair 112 range (see page 26)
- Polyamide bowl with protector, for use in solvent-charged environments (Modulair 107 and 112 ranges)
- Manual drain for Modulair 105, 107 and 112 ranges - code **662563** (Modulair 112 - fits on semi-automatic drain only)
- Filtering capacity:
 - 5 µm: Modulair 105 range - consult us
 - Modulair 107, 112 ranges: use the codes corresponding to **separate** FR and L components (see corresponding pages) and procure one two-part assembly kit
 - 10 µm: code: **662 555** (Modulair 107 range) - code: **662535** (Modulair 112 range)
 - 50 µm: code: **662 556** (Modulair 107 range) - code: **662536** (Modulair 112 range)
- Key locking device attached to adjustment knob, supplied installed on regulator code: **662 561** for Modulair 107 range, **662554** for Modulair 112 range. Others options or accessories, see page 46



FOR LUBRICATOR

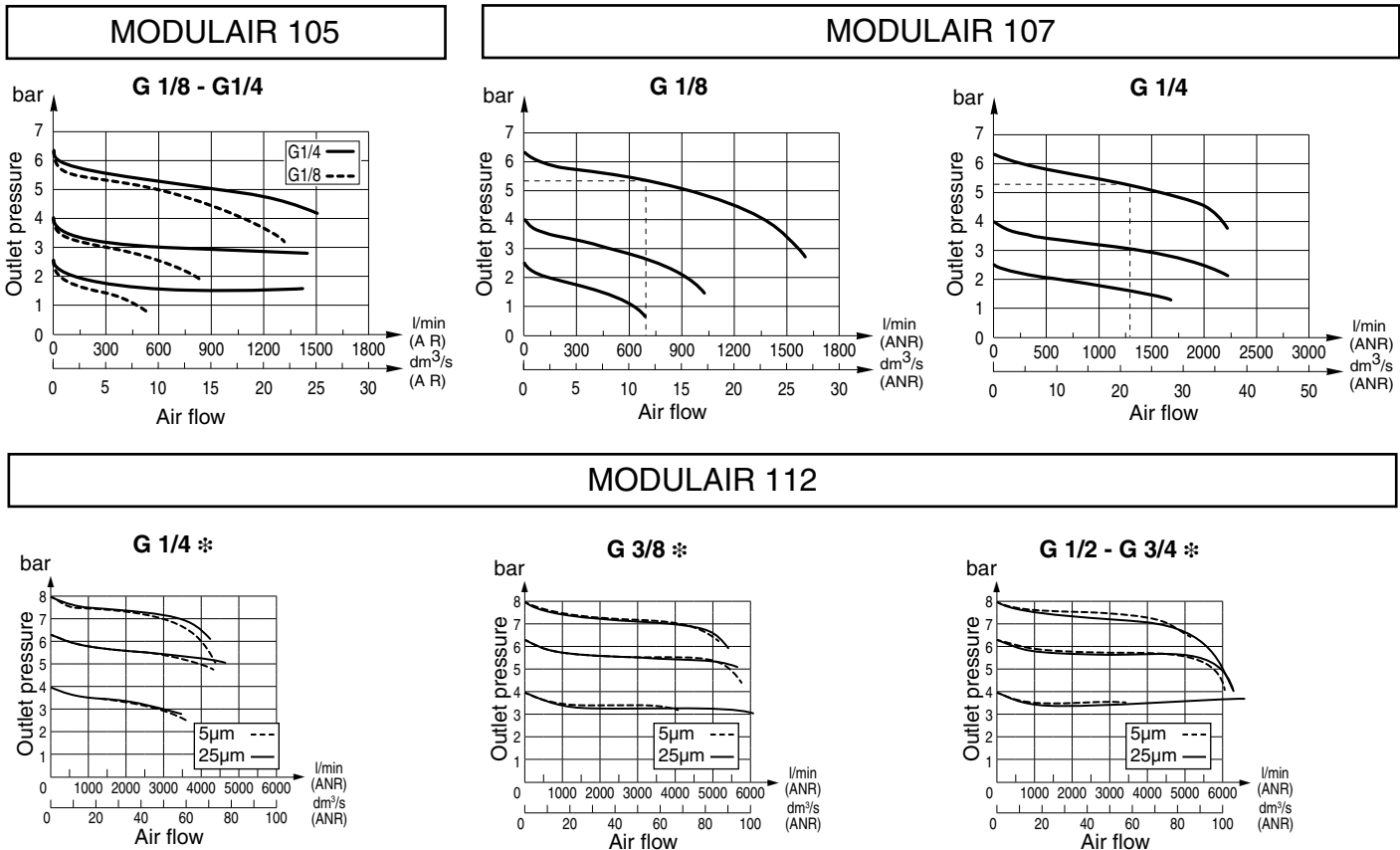
- Metal bowl for Modulair 112 (see page 26)
- Polyamide bowl with protector for use in solvent-charged environments (Modulair 107 and 112 ranges)
- Lubricator oil refilling while pressurised, code: **662562** (Modulair 107 range)

FOR FRL SYSTEM

- Equipment for use in potentially **explosive atmospheres** caused by dusts or gases (ATEX Directive 94/9/EC)
- G3/4 version for Modulair 112, individual unit not for combination, polycarbonate bowl **with** bowl protector, controlled pressure range 0,5 – 10 bar, use code for G1/2 version + option code **662600**, example: 3420392 + 662600

zones	Ex classification	gas group	code option ATEX			
			Modulair 105	Modulair 107 with bowl protector	Modulair 107 without bowl protector	Modulair 112 with bowl protector
2-22	II3GD c T 85°C (T6)	IIA-IIB-IIC	612077	612075	-	612022
1-21	II2GD c IIB T85°C (T6)	IIB	612076	612074	-	612024
1-21	II2GD c IIC T85°C (T6)	IIC	-	612065	-	612063

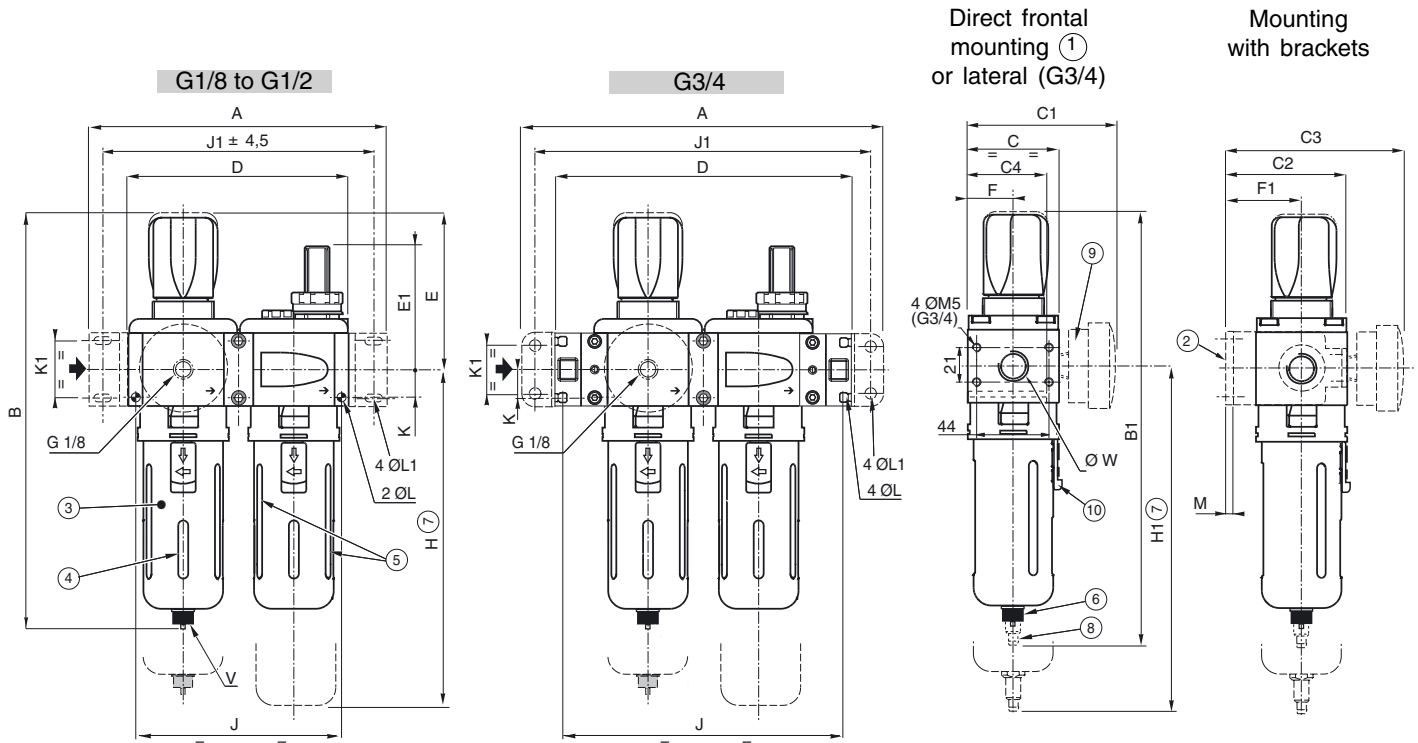
PRESSURE LOSS VERSUS AIR FLOW CURVES



* according to ISO 6953 standards

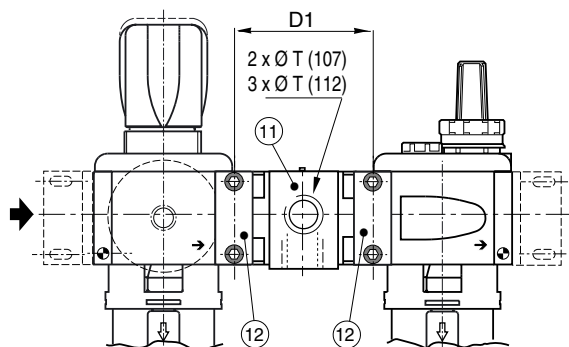
DIMENSIONS AND WEIGHTS

MODULAIR 107 - 112



range	Modulair 107	Modulair 112	Modulair 112
$\varnothing W$	G1/8	G1/4	G3/4
bowl (cl)	7	12	12
A	125	178	220
B	213	250,5	250,5
B1	-	262,5	262,5
C	42	55	55
C1	76	87	87
C2	61	73,5	69,5
C3	95	105	101,5
C4	38	47,5	55
D	84	132	180
D1	42	66	66
E	79	94,5	94,5
E1	65	71	71
F	21	27,5	27,5
F1	40	46	42
H	215	243	243
H1	-	232,5	232,5
J	74	123	171
J1	110,5	162	204
K	10	17	17
K1	28	33,5	29
$\varnothing L$	4,1	5,5	4
$\varnothing L1$	4,5	5,5	7
M	3	4	2
$\varnothing T$	G1/8	G3/8	G3/8
V	G1/8	G1/8	G1/8
Masse (kg)	0,760 ⁽¹⁾	1,570 ⁽¹⁾	1,900 ⁽¹⁾
		1,650 ⁽²⁾	1,980 ⁽²⁾

- ① Direct frontal mounting (G1/8 - G1/2) : 2 holes $\varnothing L$ and depth C4
 - ② Mounting with two side brackets (accessory)
 - ③ Metal bowl protector with transparent polycarbonate bowl
 - ④ Condensate level window (short slot)
 - ⑤ Oil min./max. level window (long slots)
 - ⑥ G 1/8 connectable semi-automatic drain
 - ⑦ Clearance necessary for bowl removal
 - ⑧ Automatic drain with fitting for connection of 6 mm ID hose (Modulair 112 range)
 - ⑨ 40 mm dia. pressure gauge (Modulair 107 range) or 50 mm dia. pressure gauge (Modulair 112 range)
 - ⑩ Protector unlocking button
 - ⑪ By-pass module available as accessory:
 - Modulair 107 range: 2 air ports (dia. T) on front and rear, supplied with 1 plug
 - Modulair 112 range: 3 air ports (dia. T) on front, bottom and rear, supplied with 2 pre-installed plugs
- Adjustable pressure switch for top-side mounting
 (for Modulair 107 range, procure the by-pass module designed for a pressure switch)
 Add value D1 to dimensions A, D, J and J1 (see below)
 NOTA - To install the by-pass module, procure an additional standard assembly kit ⑫
 see page 42: code **34304001** (Modulair 107)
 code **34303001** (Modulair 112, G1/4-G1/2)



(1) Weight without pressure gauge
 (2) Weight with automatic drain

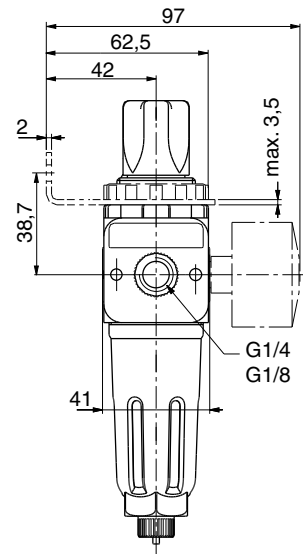
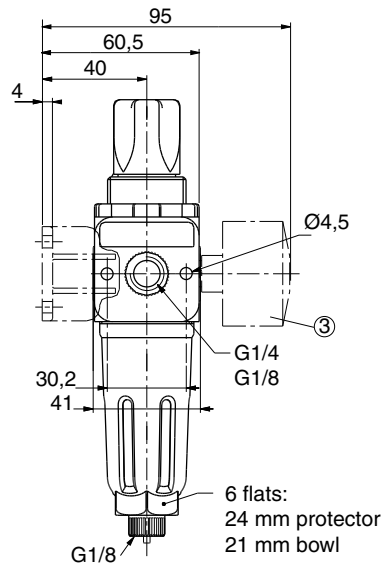
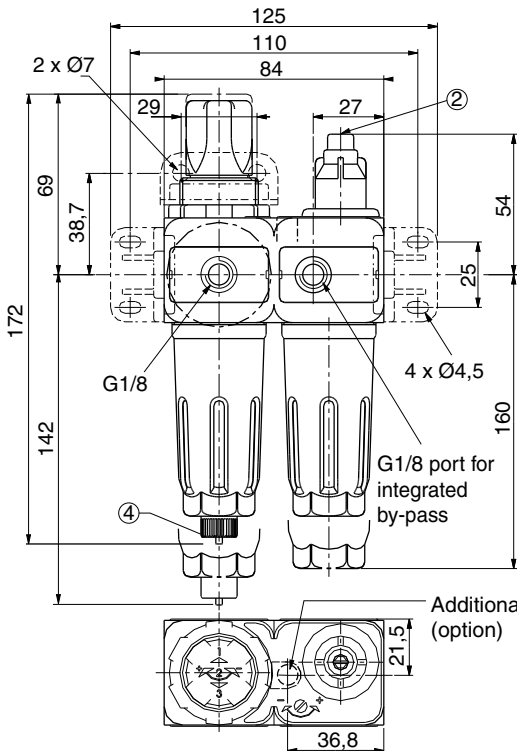
DIMENSIONS AND WEIGHTS

Weight: 0.300 kg

MONOBLOC MODULAIR 105

Mounting with side brackets

Mounting with upper bracket ①



- ① Mounting by upper bracket (accessory) and mounting ring
- ② Oil flow adjustment screw

- ③ Dia 40 mm pressure gauge
- ④ Manual drain, connectable to G1/8 port