

FEATURES

- Valves for the control of gases on industrial atmospheric and forced draught burners
- All valves have been type tested to EN 161 and satisfy the European gas appliance directive (90/396/EC) as amended by 93/68/EEC
Certificate of conformity Gastec NV: No. 0063AR1726
- All valves are for class A group 2 service and cover gas family 1 and 2
- Aluminium bodied valves designed to provide maximum flow
- The valves are for the control of low pressure gases compatible with the materials used
- The solenoid valves have a resilient soft seating for tight shut-off

GENERAL

Differential pressure 0 - 2 bar [1 bar = 100 kPa]
Response time 25 - 120 ms

| fluids (*) | temperature range (TS) | seal materials (*) |
|-----------------|------------------------|--------------------|
| combustible gas | -15°C to + 60°C | NBR (nitrile) |

MATERIALS IN CONTACT WITH FLUID

(*) Ensure that the compatibility of the fluids in contact with the materials is verified

| | |
|----------------------------------|------------------------------|
| Body | Aluminium |
| Core tube | Stainless steel |
| Core and plugnut | Stainless steel |
| Springs | Stainless steel |
| Seat | Aluminium or stainless steel |
| Seal, diaphragm and discs | NBR |
| Core guide | POM |
| Rider rings | PTFE |
| Shading coil | Copper |

ELECTRICAL CHARACTERISTICS

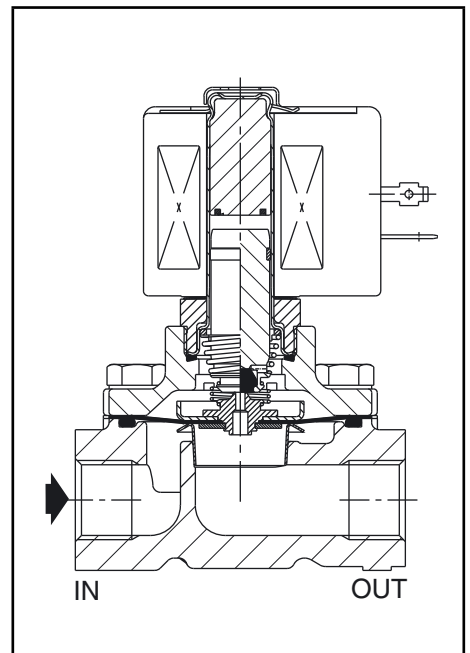
Coil insulation class F
Connector Spade plug (cable Ø 6-10 mm)
Connector specification ISO 4400 / EN 175301-803, form A
Electrical safety IEC 335
Electrical enclosure protection Moulded IP65 (EN 60529)
Standard voltages AC (~) : 24V - 48V - 115V - 230V / 50 Hz

| prefix option | power ratings | | | | operator ambient temperature range (TS) (C°) | replacement coil | | type ⁽¹⁾ |
|---------------|---------------|-----------|------------|-----|----------------------------------------------|------------------|---|---------------------|
| | inrush ~ | holding ~ | hot/cold = | | | | | |
| | (VA) | (VA) | (W) | (W) | | 230 V/50 Hz | = | |
| EGSC | 55 | 23 | 10,5 | - | -15 to + 60 | 400425-117 | - | 01 |

⁽¹⁾ Refer to the dimensional drawings on the following page.

SPECIFICATIONS

| pipe size | orifice size | flow coefficient Kv | | min. | operating pressure differential (bar) | | power coil (W) | | catalogue number |
|-----------------------------|--------------|---------------------|---------|------|---------------------------------------|---|----------------|---|------------------|
| | | | | | max. (PS) | | | | |
| | | | | | gas (*) | | | | |
| Rp | (mm) | (m³/h) | (l/min) | | ~ | = | ~ | = | ~ |
| NC - Normally closed | | | | | | | | | |
| 3/8 | 19 | 2,9 | 48,3 | 0 | 2 | - | 10,5 | - | EGSCE215B010 |
| 1/2 | 19 | 3,8 | 63,3 | 0 | 2 | - | 10,5 | - | EGSCE215B020 |



OPTIONS

- Mounting brackets, suffix MB
- Plug with visual indication and peak voltage suppression or with cable length of 2 m (see Solenoids, Coils & Accessories section)

INSTALLATION

- The solenoid valves can be mounted in any position without affecting operation
- Pipe connection identifier is E = Rp (ISO 7/1)
- Installation/maintenance instructions are included with each valve

SPARE PARTS KIT

| catalogue number | spare parts kit no. | | mounting bracket no. |
|------------------|---------------------|---|----------------------|
| | ~ | = | |
| EGSCE215B010 | C131447 | - | 038713-000 |
| EGSCE215B020 | C131447 | - | 038713-000 |

- Not available.

ORDERING EXAMPLES:

| | | | | | |
|------|---|-----|---|-----|--------------|
| EGSC | E | 215 | B | 010 | 230V / 50 Hz |
| EGSC | E | 215 | B | 020 | 115V / 50 Hz |

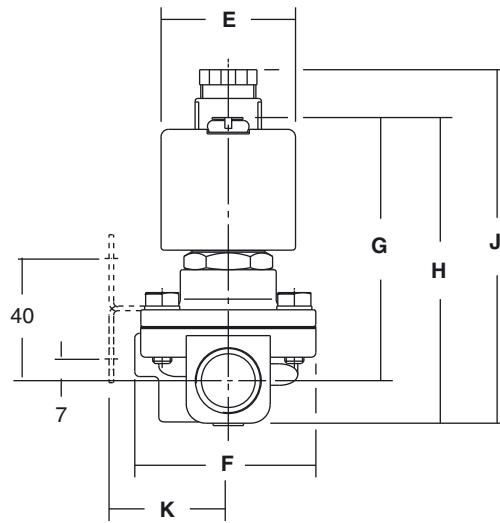
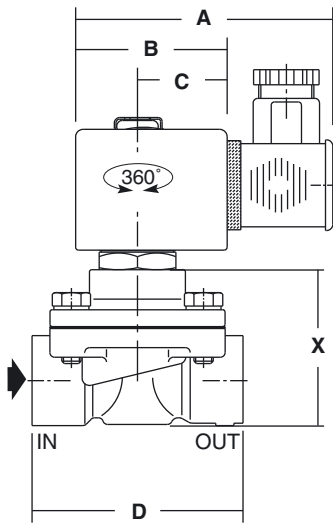
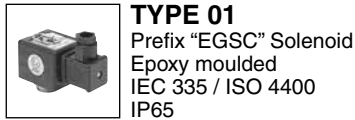
prefix — pipe thread — basic number — voltage — suffix

ORDERING EXAMPLES KITS:

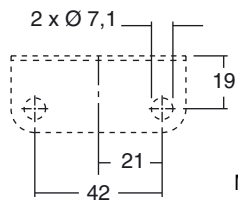
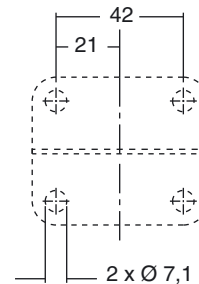
| |
|---------|
| C131447 |
|---------|

basic number —

DIMENSIONS (mm), WEIGHT (kg)



Mounting bracket



Mounting bracket

| type | prefix option | A | B | C | D | E | F | G | H | J | K | X | weight ⁽¹⁾ |
|------|---------------|----|----|----|----|----|----|----|-----|-----|----|----|-----------------------|
| 01 | EGSC | 85 | 50 | 30 | 70 | 45 | 60 | 85 | 100 | 117 | 41 | 50 | 0,6 |

⁽¹⁾ including coil and connector.