



# SPOOL VALVES

pilot operated or air operated, spool type  
single/dual solenoid or air (mono/bistable function)  
aluminium body, 1/4 to 1/2

**5/2**  
**5/3**  
Series  
**551-552-553**

## FEATURES

- The monostable spool valves have TÜV-EXIDA certified IEC 61508 Functional Safety data and can be used up to SIL 4 (551/TÜV)-SIL 3 (552-553/EXIDA)
- The spool valves 5/2 and 5/3 have threaded port connections
- All the exhaust ports of this spool valve are connectable, providing better environmental protection, particularly recommended for sensitive areas such as clean rooms, and applications in the pharmaceutical and food processing sectors
- The valve offers environmental protection against the ingress of liquids, dusts or any other foreign matter (environmentally-protected construction)
- The valve offers environmental protection against the ingress of liquids, dusts or any other foreign matter (environmentally-protected construction)
- Epoxy moulded coil for general service applications
- The solenoid valves satisfy all relevant EC Directives

## GENERAL

|                              |                                                                                                            |
|------------------------------|------------------------------------------------------------------------------------------------------------|
| <b>Differential pressure</b> | 2 - 10 bar [1 bar = 100 kPa]                                                                               |
| <b>Flow (Qv at 6 bar)</b>    | 1/4 = 860 l/min (5/2) ; 760 l/min (5/3)(ANR)<br>3/8 = 3000 l/min (5/2, 5/3)<br>1/2 = 3800 l/min (5/2, 5/3) |

| fluids (*)               | temperature range (TS) | seal materials (*)                 |
|--------------------------|------------------------|------------------------------------|
| air, inert gas, filtered | - 25°C to + 60°C       | NBR (nitrile) + PUR (polyurethane) |

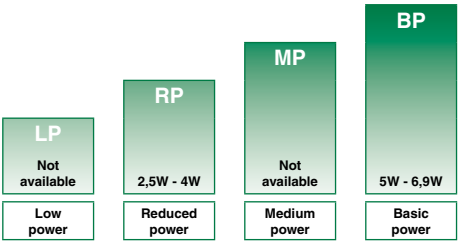
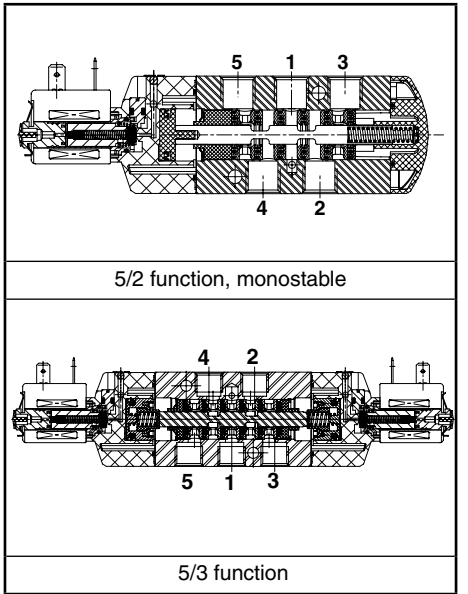
## MATERIALS IN CONTACT WITH FLUID

(\*) Ensure that the compatibility of the fluids in contact with the materials is verified

|                         |                                        |
|-------------------------|----------------------------------------|
| <b>Body</b>             | Aluminium, black anodized              |
| <b>End covers</b>       | Glass-filled PA                        |
| <b>Internal parts</b>   | Zamak, stainless steel, POM, aluminium |
| <b>Seals</b>            | NBR + PUR                              |
| <b>Core and plugnut</b> | Stainless steel                        |
| <b>Shading coil</b>     | Copper                                 |

## AIR OPERATED SPECIFICATIONS

| pipe size                                                         | orifice size | flow coefficient kv |         | operating pressure differential (bar) |           |    | prefix option | basic catalogue number  |
|-------------------------------------------------------------------|--------------|---------------------|---------|---------------------------------------|-----------|----|---------------|-------------------------|
|                                                                   |              |                     |         | min.                                  | max. (PS) |    |               |                         |
| (*)                                                               | (mm)         | (m³/h)              | (l/min) |                                       | air (*)   |    |               |                         |
| <b>5/2 - Air pilot operated - spring return (monostable)</b>      |              |                     |         |                                       |           |    |               |                         |
| 1/4                                                               | 6            | 0,75                | 12,5    | 2                                     | 10        | 10 | -             | ❖551A117 <sup>(2)</sup> |
| 3/8                                                               | 12           | 2,49                | 41,5    | 2                                     | 10        | 10 | -             | ❖552A117 <sup>(2)</sup> |
| 1/2                                                               | 13           | 3,15                | 52,5    | 2                                     | 10        | 10 | -             | ❖553A117 <sup>(2)</sup> |
| <b>5/2 - Air pilot operated and return (bistable)</b>             |              |                     |         |                                       |           |    |               |                         |
| 1/4                                                               | 6            | 0,75                | 12,5    | 2                                     | 10        | 10 | -             | ❖551A118                |
| 3/8                                                               | 12           | 2,49                | 41,5    | 2                                     | 10        | 10 | -             | ❖552A118                |
| 1/2                                                               | 13           | 3,15                | 52,5    | 2                                     | 10        | 10 | -             | ❖553A118                |
| <b>5/3 - W1 - pressure held, air pilot operated and return</b>    |              |                     |         |                                       |           |    |               |                         |
| 1/4                                                               | 6            | 0,75                | 12,5    | 2                                     | 10        | 10 | -             | ❖551A167                |
| <b>5/3 - W3 - pressure release, air pilot operated and return</b> |              |                     |         |                                       |           |    |               |                         |
| 1/4                                                               | 6            | 0,75                | 12,5    | 2                                     | 10        | 10 | -             | ❖551A168                |



POWER LEVELS - cold electrical holding values (watt)

## PILOT OPERATED SPECIFICATIONS 5/2

| pipe size                                                             | orifice size | flow coefficient kv |         | operating pressure differential (bar) |           |    | power level | prefix optional solenoids |       |   |      | basic catalogue number |                                |
|-----------------------------------------------------------------------|--------------|---------------------|---------|---------------------------------------|-----------|----|-------------|---------------------------|-------|---|------|------------------------|--------------------------------|
|                                                                       |              |                     |         | min.                                  | max. (PS) |    |             | ATEX / IECEx              |       |   | IP65 |                        |                                |
| (*)                                                                   | (mm)         | (m³/h)              | (l/min) |                                       | air (*)   |    | -           | Ex e mb                   | Ex mb | - |      | SC                     |                                |
| <b>5/2 - Solenoid air pilot operated - spring return (monostable)</b> |              |                     |         |                                       |           |    |             |                           |       |   |      |                        |                                |
| 1/4                                                                   | 6            | 0,75                | 12,5    | 2                                     | 10        | 10 | RP          | -                         | ●     | - | -    | ●                      | ❖551A017 <sup>(2)</sup>        |
| 1/4                                                                   | 6            | 0,75                | 12,5    | 2                                     | 10        | 10 | RP          | -                         | -     | ● | -    | -                      | X❖551A017 20787 <sup>(2)</sup> |
| 3/8                                                                   | 12           | 2,49                | 41,5    | 2                                     | 10        | 10 | RP-BP       | -                         | ●     | ● | -    | ●                      | ❖552A017 <sup>(2)</sup>        |
| 1/2                                                                   | 13           | 3,15                | 52,5    | 2                                     | 10        | 10 | RP-BP       | -                         | ●     | ● | -    | ●                      | ❖553A017 <sup>(2)</sup>        |
| <b>5/2 - Solenoid air pilot operated and return (bistable)</b>        |              |                     |         |                                       |           |    |             |                           |       |   |      |                        |                                |
| 1/4                                                                   | 6            | 0,75                | 12,5    | 2                                     | 10        | 10 | RP          | -                         | ●     | - | -    | ●                      | ❖551A018                       |
| 1/4                                                                   | 6            | 0,75                | 12,5    | 2                                     | 10        | 10 | RP          | -                         | -     | ● | -    | -                      | X❖551A018 20787                |
| 3/8                                                                   | 12           | 2,49                | 41,5    | 2                                     | 10        | 10 | RP-BP       | -                         | ●     | ● | -    | ●                      | ❖552A018                       |
| 1/2                                                                   | 13           | 3,15                | 52,5    | 2                                     | 10        | 10 | RP-BP       | -                         | ●     | ● | -    | ●                      | ❖553A018                       |

❖ Select 8 for NPT ANSI 1.20.3 or select G for ISO G (228/1) ● Available feature - Not available  
(2) Certified IEC 61508 Functional Safety data, use suffix "SL".

80087GB-2013/R02

**PILOT OPERATED SPECIFICATIONS 5/3**

| pipe size                                                                  | orifice size | flow coefficient kv<br>(m³/h) (l/min) |      | operating pressure differential (bar) |           |     | power level | prefix optional solenoids |         |       |    |      | basic catalogue number |
|----------------------------------------------------------------------------|--------------|---------------------------------------|------|---------------------------------------|-----------|-----|-------------|---------------------------|---------|-------|----|------|------------------------|
|                                                                            |              |                                       |      | min.                                  | max. (PS) |     |             | ATEX / IECEx              |         |       |    | IP65 |                        |
|                                                                            |              |                                       |      |                                       | air (*)   |     |             | -                         | Ex e mb | Ex mb | -  |      |                        |
| (*)                                                                        | (mm)         |                                       |      | ~                                     | =         | ~/= | -           | WBLP                      | PV      | -     | SC |      |                        |
| <b>5/3 - W1 - pressure held, solenoid air pilot operated and return</b>    |              |                                       |      |                                       |           |     |             |                           |         |       |    |      |                        |
| 1/4                                                                        | 6            | 0,66                                  | 11   | 2                                     | 10        | 10  | RP          | -                         | ●       | -     | -  | ●    | ❖551A067               |
| 1/4                                                                        | 6            | 0,66                                  | 11   | 2                                     | 10        | 10  | RP          | -                         | -       | ●     | -  | -    | X❖551A067 20787        |
| 3/8                                                                        | 12           | 2,49                                  | 41,5 | 2                                     | 10        | 10  | RP-BP       | -                         | ●       | ●     | -  | -    | ❖552A067               |
| 1/2                                                                        | 13           | 3,15                                  | 52,5 | 2                                     | 10        | 10  | RP-BP       | -                         | ●       | ●     | -  | -    | ❖553A067               |
| <b>5/3 - W3 - pressure release, solenoid air pilot operated and return</b> |              |                                       |      |                                       |           |     |             |                           |         |       |    |      |                        |
| 1/4                                                                        | 6            | 0,66                                  | 11   | 2                                     | 10        | 10  | RP          | -                         | ●       | -     | -  | ●    | ❖551A068               |
| 1/4                                                                        | 6            | 0,66                                  | 11   | 2                                     | 10        | 10  | RP          | -                         | -       | ●     | -  | -    | X❖551A068 20787        |
| 3/8                                                                        | 12           | 2,49                                  | 41,5 | 2                                     | 10        | 10  | RP-BP       | -                         | ●       | ●     | -  | -    | ❖552A068               |
| 1/2                                                                        | 13           | 3,15                                  | 52,5 | 2                                     | 10        | 10  | RP-BP       | -                         | ●       | ●     | -  | -    | ❖553A068               |

❖ Select 8 for NPT ANSI 1.20.3 or select G for ISO G (228/1) ● Available feature - Not available

**PREFIX TABLE**

| prefix |   |   |   |   |   |   | description                                                        | power level |    |    |    |
|--------|---|---|---|---|---|---|--------------------------------------------------------------------|-------------|----|----|----|
| 1      | 2 | 3 | 4 | 5 | 6 | 7 |                                                                    | LP          | RP | MP | BP |
| P      | V |   |   |   |   |   | Encapsulated epoxy moulded (EN/IEC 60079-18, 61241-18)*            | -           | ●  | -  | ●  |
| W      | B | L | P |   |   |   | I.S./encapsulation with PBT IP67 enclosure (EN/IEC 60079-7+18+21)* | -           | ●  | -  | -  |
| S      | C |   |   |   |   |   | Solenoid with spade plug connector (EN/IEC 60730)                  | -           | ●  | -  | ●  |
|        |   |   |   |   |   | X | Other special constructions                                        | -           | ●  | -  | ●  |

**SUFFIX TABLE**

| suffix |   |   |   |   | description                                                        | power level |    |    |    |
|--------|---|---|---|---|--------------------------------------------------------------------|-------------|----|----|----|
| 1      | 2 | 3 | 4 | 5 |                                                                    | LP          | RP | MP | BP |
|        | G | D |   |   | Non-electrical, 2 GD c, construction safety, gas/dust (EN 13463-5) | -           | -  | -  | -  |
|        |   |   | M | S | Screw type manual operator                                         | -           | ●  | -  | ●  |
|        | S | L |   |   | Certified IEC 61508 Functional Safety data <sup>(2)</sup>          | -           | ●  | -  | ●  |

● Available feature

- Not available

\* ATEX solenoids are also approved according to EN 13463-1 (non electrical valves)

<sup>(2)</sup> Not to use with MS suffix

**PRODUCT SELECTION GUIDE**

**STEP 1**

Select the fluid temperature range and seal material from the general table on page 1. Select basic catalogue number, including pipe thread identification letter. Refer to the specifications table on pages 1 and 2.

**Example : G551A017**

**STEP 2**

Select prefix (combination). Select the appropriate operator from the specifications table on page 1 and the prefix table on page 2. Select for this operator in the electrical characteristics table on page 3: the power level (RP, MP, BP), the type of electrical enclosure protection and the desired temperature class. The air operated version is without prefix.

**Warning:** The ambient temperature range of your application may not exceed the temperature range of your operator.

Do not use prefixes for air operated versions.

**Example : SC**

**STEP 3**

Select suffix (combination) if required. Suffix GD only applies for the air operated versions, do not use suffix MS.

**Example : MS**

**STEP 4**

Select voltage. Refer to standard voltages on page 3.

**Example : 230V / 50Hz**

**STEP 5**

Final catalogue / ordering number.

**Example :**

**SC G551A017MS 230 V / 50 Hz**

**OPTIONS & ACCESSORIES**

| series      | pipe size | exhaust protector (stainless steel) |                         |                         |
|-------------|-----------|-------------------------------------|-------------------------|-------------------------|
|             |           | (G)                                 | (NPT)                   | (M)                     |
| 551         | 1/4       | 34600419 <sup>(3)</sup>             | 34600483 <sup>(3)</sup> | -                       |
| 552         | 3/8       | 34600478 <sup>(3)</sup>             | 34600480 <sup>(3)</sup> | -                       |
| 553         | 1/2       | 34600479 <sup>(3)</sup>             | 34600481 <sup>(3)</sup> | -                       |
| 551/552/553 | M5        | -                                   | -                       | 34600484 <sup>(3)</sup> |

<sup>(3)</sup> Provided with "SL" suffix.

**ORDERING EXAMPLES:**

|  |      |    |     |     |     |       |              |
|--|------|----|-----|-----|-----|-------|--------------|
|  | SC   | G  | 551 | A   | 017 | MS    | 230V / 50 Hz |
|  | PV   | X8 | 551 | A   | 018 | 20787 | 115V / 50 Hz |
|  | WBLP | G  | 551 | A   | 017 | MS    | 24V / DC     |
|  | SC   | G  | 552 | A   | 017 | MS    | 24V / DC     |
|  |      |    | G   | 553 | A   | 118   |              |
|  |      |    | G   | 551 | A   | 118   | GD           |
|  |      |    | G   | 551 | A   | 117   | GD SL        |
|  | SC   | G  | 551 | A   | 017 | SL    |              |

prefix — pipe thread — basic number — voltage — suffix

**EXPLANATION OF TEMPERATURE RANGES OF SOLENOID VALVES**

|                                    |                                                                                                                                                                               |
|------------------------------------|-------------------------------------------------------------------------------------------------------------------------------------------------------------------------------|
| Valve temperature range            | The valve temperature range (TS) is determined by the selected seal material, the temperature range for proper operation of the valve and sometimes by the fluid (e.g. steam) |
| Operator ambient temperature range | The operator ambient temperature range is determined by the selected power level and the safety code                                                                          |
| Total temperature range            | The temperature range of the complete solenoid valve is determined by the limitations of both temperature ranges above                                                        |

**ELECTRICAL CHARACTERISTICS**

|                       |                                                                                                           |
|-----------------------|-----------------------------------------------------------------------------------------------------------|
| Coil insulation class | F                                                                                                         |
| Electrical safety     | IEC 335                                                                                                   |
| Standard voltages     | DC (=) 24V - 48V<br>AC (~) 24V - 48V - 115V - 230V/50Hz; other voltages and 60Hz are available on request |

| prefix option             | power ratings |         |     |          | operator ambient temperature range (TS)<br>(C°) | safety code                           | electrical enclosure protection<br>(EN 60529) | replacement coil |                  | type <sup>(1)</sup> |
|---------------------------|---------------|---------|-----|----------|-------------------------------------------------|---------------------------------------|-----------------------------------------------|------------------|------------------|---------------------|
|                           | inrush        | holding |     | hot/cold |                                                 |                                       |                                               | ~                | =                |                     |
|                           | (VA)          | (VA)    | (W) | (W)      |                                                 |                                       |                                               | 230 V / 50 Hz    | 24 V DC          |                     |
| <b>Basic power = BP</b>   |               |         |     |          |                                                 |                                       |                                               |                  |                  |                     |
| SC                        | 15            | 7       | 5   | 5/6,9    | -25 to +60                                      | EN 60730                              | moulded IP65                                  | 400727-117       | 400727-185       | 02                  |
| PV                        | -             | -       | 6,3 | -/6,9    | -40 to +65/40                                   | II 2 G/D Ex mb IIC T3/Ex mD           | moulded IP65                                  | - <sup>(4)</sup> | - <sup>(4)</sup> | 04                  |
| <b>Reduced power (RP)</b> |               |         |     |          |                                                 |                                       |                                               |                  |                  |                     |
| SC                        | 6             | 3,5     | 2,5 | 2,5/3,0  | -25 to +60                                      | EN 60730                              | moulded IP65                                  | 400127-097       | 400904-142       | 01                  |
| PV                        | -             | -       | 4   | -/3,0    | -40 to +65/60                                   | II 2 G/D Ex mb II T3/Ex mD            | moulded IP65                                  | - <sup>(4)</sup> | - <sup>(4)</sup> | 03                  |
| WBLP                      | -             | -       | 3,5 | -/4      | -40 to +65                                      | II2G Ex e mb IIC T4, II2D Ex t IIC Db | IP67 PBT                                      | - <sup>(4)</sup> | - <sup>(4)</sup> | 05-06               |

<sup>(1)</sup> Refer to the dimensional drawings on pages 3 and 4 (Air operated versions, see page 6 for types 7 and 8).

<sup>(4)</sup> Multiple coil kits available under ATEX, contact us

**ELECTRICAL CONNECTIONS**

| prefix | connection                                                                                                                                                                                                                       |
|--------|----------------------------------------------------------------------------------------------------------------------------------------------------------------------------------------------------------------------------------|
| SC     | Spade plug connector with cable gland DIN 43650, 11 mm, industry standard B, for cables with an outer diameter from 6 to 8 mm (type 01) or EN175301-803A (ISO 4400) for cables with an outer diameter from 6 to 10 mm (type 02). |
| PV     | Moulded-in cable, standard length 2 m                                                                                                                                                                                            |
| WBLP   | M20 cable gland for cables with an outer diameter from 7 to 8,5 mm. With an internal and external facility for an earthing or bonding conductor                                                                                  |

**ADDITIONAL OPTIONS**

- Other pipe threads are available on request
- Ex mb/mD (prefix "PV") solenoid can be supplied with various cable lengths
- Compliance with "UL" Available on request (series 552-553)

**INSTALLATION**

- Installation/maintenance instructions are included with each valve
- The valves can be mounted in any position without affecting operation
- Do not connect the pressure supply to the exhaust port 3. The "environmentally-protected" construction is not adapted for a "distributing" function or use in NO function. Contact us for functions available in specific versions
- IEC 61508 Functional Safety (Suffix SL), allowable temperature range: -40°C to +60°C. Probability of failure on demand, contact us
- It is necessary to connect pipes or fittings to the exhaust ports to protect the internal parts of the valve if used outside or in harsh environments (dusts, liquids etc.)
- Threaded pipe connection identifier is: 8 = NPT (ANSI 1.20.3); G = G (ISO 228/1)

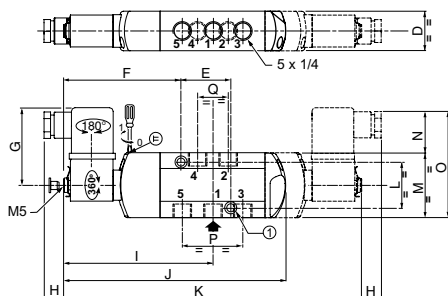
**DIMENSIONS (mm), WEIGHT (kg)**

**TYPE 01:**  
SC  
Epoxy moulded  
IEC 335 / DIN 43650

551A017/A017MS/A018/A018MS/A067/A067MS/A068/A068MS

**TYPE 02:**  
SC  
Epoxy moulded  
IEC 335 / ISO 4400

552A017/A0017MS/A018/A018MS/A067/A067MS/A068/A068MS  
553A017/A0017MS/A018/A018MS/A067/A067MS/A068/A068MS



① 2 mounting holes dia. 5,3; spotfacing: dia. 9, depth 5 mm

② 2 mounting holes dia. 6,5; spotfacing: dia. 11, depth 6 mm

### DIMENSIONS (mm), WEIGHT (kg)



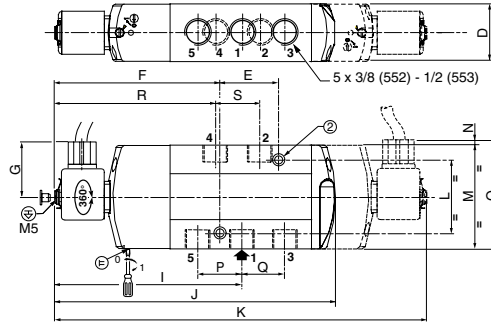
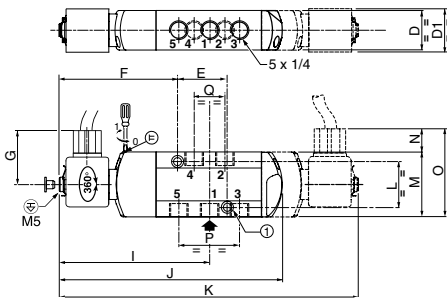
**TYPE 03:**  
PV  
Epoxy encapsulated  
EN/IEC 60079-18 and EN/IEC 61241-18

551A017 20787 / A017MS 20787 / A018 20787 / A018MS 20787  
551A067 20787 / A067MS 20787 / A068 20787 / A068MS 20787



**TYPE 04:**  
PV  
Epoxy encapsulated  
EN/IEC 60079-18 and EN/IEC 61241-18

552A017/A017MS/A018/A018MS/A067/A067MS/A068/A068MS  
553A017/A017MS/A018/A018MS/A067/A067MS/A068/A068MS



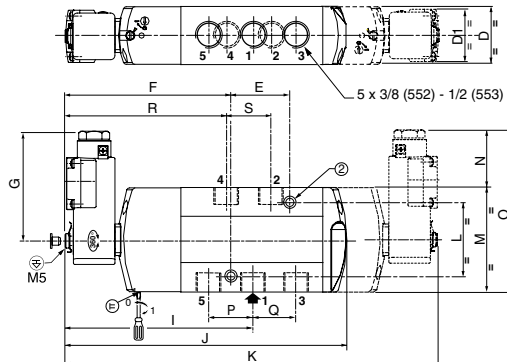
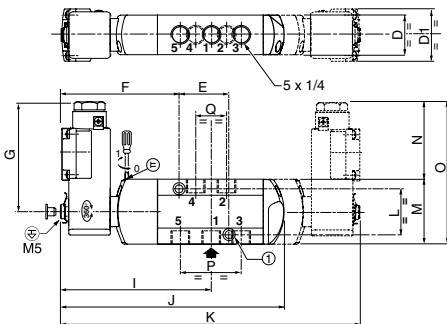
**TYPE 05:**  
WBLP  
PBT  
EN/IEC 60079-7, EN/IEC 60079-18 and  
EN/IEC 60079-31

551A017/A017MS/A018/A018MS/A067/A067MS/A068/A068MS



**TYPE 06:**  
WBLP  
PBT  
EN/IEC 60079-7, EN/IEC 60079-18 and  
EN/IEC 60079-31

552A017/A017MS/A018/A018MS/A067/A067MS/A068/A068MS  
553A017/A017MS/A018/A018MS/A067/A067MS/A068/A068MS



| type     | prefix option | power level | D    | D1 | E  | F     | G    | H    | I     | J     | K   | L  | M    | N     | O      | P    | Q    | R   | S    | weight <sup>(1)</sup> |                |
|----------|---------------|-------------|------|----|----|-------|------|------|-------|-------|-----|----|------|-------|--------|------|------|-----|------|-----------------------|----------------|
|          |               |             |      |    |    |       |      |      |       |       |     |    |      |       |        |      |      |     |      | <sup>(2)</sup>        | <sup>(3)</sup> |
| 01 (551) | SC            | RP          | 27,5 | -  | 32 | 82,5  | 52   | 13   | 105,5 | 157   | 210 | 32 | 45   | 27    | 72     | 9,5  | 12   | -   | -    | 0,35                  | 0,43           |
| 02 (552) | SC            | BP          | 40,2 | -  | 43 | 114,5 | 59,2 | 21,8 | 129,5 | 197,5 | 261 | 51 | 72,3 | 20    | 92,3   | 12,1 | 17,5 | 112 | 29,6 | 0,70                  | 1,00           |
| 02 (553) | SC            | BP          | 40,2 | -  | 43 | 114,5 | 59,2 | 21,8 | 130,5 | 197,5 | 261 | 51 | 72,3 | 20    | 92,3   | 12,1 | 19,5 | 111 | 31,6 | 0,69                  | 0,99           |
| 03 (551) | PV            | RP          | 27,5 | 29 | 32 | 82,5  | 36,5 | 13   | 104,5 | 157   | 210 | 32 | 45   | 13    | 58     | 9,5  | 12   | -   | -    | 0,37                  | 0,49           |
| 04 (552) | PV            | BP          | 40,2 | -  | 43 | 114,5 | 36,5 | 21,8 | 129,5 | 197,5 | 261 | 51 | 72,3 | 0,3   | 72,6   | 12,1 | 17,5 | 112 | 29,6 | 0,73                  | 1,03           |
| 04 (553) | PV            | BP          | 40,2 | -  | 43 | 114,5 | 36,5 | 21,8 | 130,5 | 197,5 | 261 | 51 | 72,3 | 0,3   | 72,6   | 12,1 | 19,5 | 111 | 31,6 | 0,72                  | 1,02           |
| 05 (551) | WBLP          | RP          | 27,5 | 37 | 32 | 82,5  | 81,5 | -    | 104,5 | 157   | 210 | 32 | 45   | 59    | 104    | 9,5  | 12   | -   | -    | 0,43                  | 0,63           |
| 06 (552) | WBLP          | RP          | 40,2 | 37 | 43 | 114,5 | 81,5 | -    | 129,5 | 197,5 | 261 | 51 | 72,3 | 45,35 | 117,65 | 12,1 | 17,5 | 112 | 29,6 | 0,80                  | 1,17           |
| 06 (553) | WBLP          | RP          | 40,2 | 37 | 43 | 114,5 | 81,5 | -    | 130,5 | 197,5 | 261 | 51 | 72,3 | 45,35 | 117,65 | 12,1 | 19,5 | 111 | 31,6 | 0,79                  | 1,16           |

<sup>(1)</sup> Including coil(s) and connector(s)    <sup>(2)</sup> monostable    <sup>(3)</sup> bistable



### DIMENSIONS (mm), WEIGHT (kg)



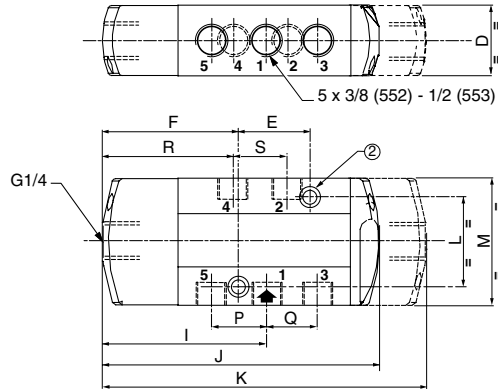
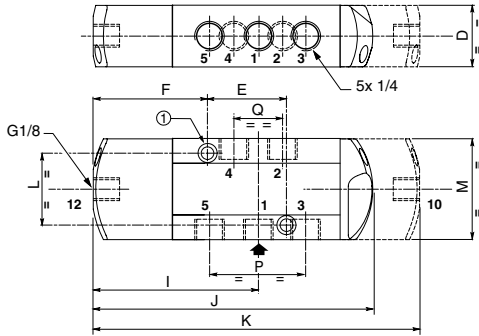
**TYPE 07: No prefix, IP65 (suffixes, GD: II 2 GD c, SL: SIL or GDSL: SIL, II 2 GD c)**  
Air operated version  
(supply rail - see below)

551A117 / 551A118 / 551A167 / 551A168



**TYPE 08: No prefix, IP65 (suffixes, GD: II 2 GD c, SL: SIL or GDSL: SIL, II 2 GD c)**  
Air operated version  
(supply rail - see below)

552A117 / 552A118 / 553A117 / 553A118



- ① 2 mounting holes dia. 5,3; spotfacing: dia. 9, depth 5 mm
- ② 2 mounting holes dia. 6,5; spotfacing: dia. 11, depth 6 mm

| type     | prefix option | power level | D    | E  | F    | I    | J     | K   | L  | M    | P    | Q    | R  | S    | weight <sup>(2)</sup> |          |
|----------|---------------|-------------|------|----|------|------|-------|-----|----|------|------|------|----|------|-----------------------|----------|
|          |               |             |      |    |      |      |       |     |    |      |      |      |    |      | monostable            | bistable |
| 07 (551) | -             | -           | 27,5 | 32 | 50,5 | 72   | 125   | 146 | 32 | 45   | 41   | 22   | -  | -    | 0,32                  | 0,40     |
| 08 (552) | -             | -           | 40,2 | 43 | 78,5 | 93,5 | 161,5 | 189 | 51 | 72,3 | 29,6 | 29,7 | 76 | 29,6 | 0,80                  | 1,06     |
| 08 (553) | -             | -           | 40,2 | 43 | 78,5 | 94,5 | 161,5 | 189 | 51 | 72,3 | 31,6 | 31,8 | 76 | 31,6 | 0,79                  | 1,05     |

<sup>(2)</sup> Including coil(s) and connector(s)

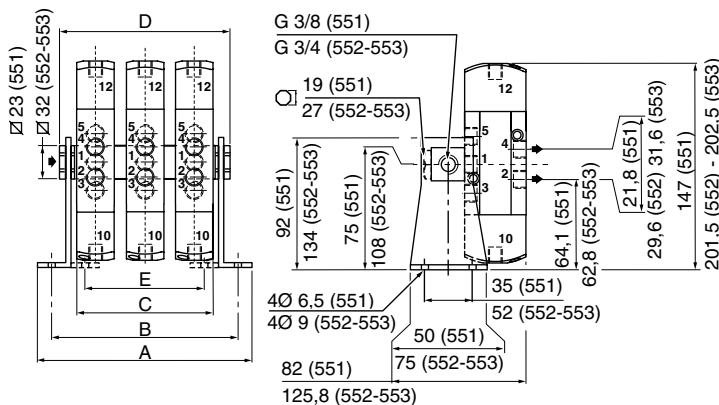
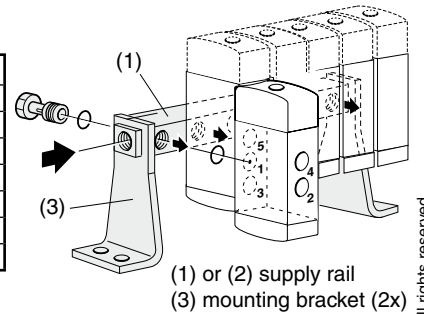
### ACCESSORIES SERIES 551, 553 AND 553

• Supply rails: see catalogue numbers on page 5

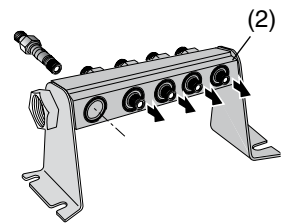
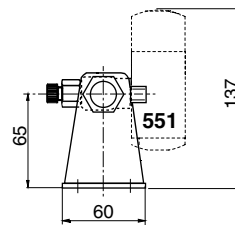
| Series 551         | number of valves |     |     |     |     |     |     |  |
|--------------------|------------------|-----|-----|-----|-----|-----|-----|--|
|                    | 2                | 3   | 4   | 5   | 6   | 7   | 8   |  |
| A                  | 108              | 136 | 164 | 192 | 220 | 248 | 276 |  |
| B                  | 92               | 120 | 148 | 176 | 204 | 232 | 260 |  |
| C                  | 55               | 83  | 111 | 139 | 167 | 195 | 223 |  |
| D                  | 78               | 106 | 134 | 162 | 190 | 218 | 246 |  |
| E                  | 42               | 70  | 98  | 126 | 154 | 182 | 210 |  |
| type 07, monost.*  | 1,0              | 1,3 | 1,6 | 2,0 | 2,3 | 2,6 | 2,9 |  |
| type 07, bistable* | 1,1              | 1,5 | 2,0 | 2,4 | 2,8 | 3,2 | 3,6 |  |

| Series 552-553     | number of valves |     |     |     |     |     |     |  |
|--------------------|------------------|-----|-----|-----|-----|-----|-----|--|
|                    | 2                | 3   | 4   | 5   | 6   | 7   | 8   |  |
| A                  | 136              | 117 | 218 | 259 | 300 | 341 | 382 |  |
| B                  | 116              | 157 | 198 | 239 | 280 | 321 | 362 |  |
| C                  | 81               | 122 | 163 | 204 | 245 | 286 | 327 |  |
| D                  | 117              | 158 | 199 | 240 | 281 | 322 | 363 |  |
| type 08, monost.*  | 2,3              | 3,2 | 4,2 | 5,2 | 6,2 | 7,1 | 8,2 |  |
| type 08, bistable* | 2,6              | 3,8 | 5,0 | 6,2 | 7,4 | 8,5 | 9,4 |  |

\* Weight (kg)



Supply rail with isolation valves for series 551



Only with supply rail with isolation valves (Series 551)

This mounting arrangement allows valves to be mounted in the positions bellow.

