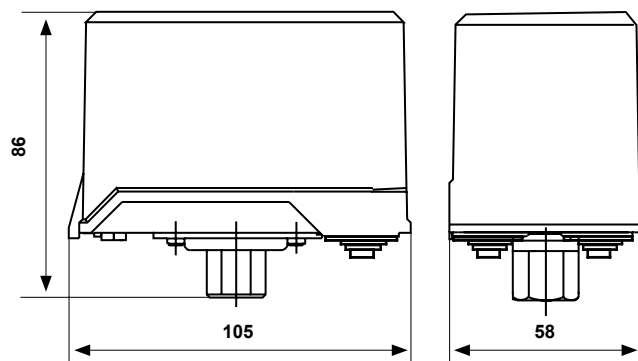


B70A

Pressure switches for three-phase motors direct control

Pressure controls suitable to control directly the electric motors of the pumps, compressors, domestic or industrial autoclaves groups. Suitable as well for fluids (gas or liquids) chemically compatible with the friction diaphragm.



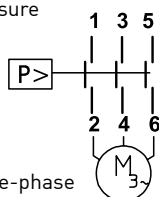
| | Range bar | Differential range beginning bar | Differential range ending bar | Sensitive element max. pressure bar | Connection G/14 | Protection degree |
|------|--------------|--|-------------------------------------|---|--------------------|----------------------|
| B70A | 0,5 ÷ 7 | +0,8 | +1,8 | +3,5 | 12 | IP40 |

1 Bar = 100Kpa *The differential must be deducted from the range value.

ELECTRICAL FEATURES

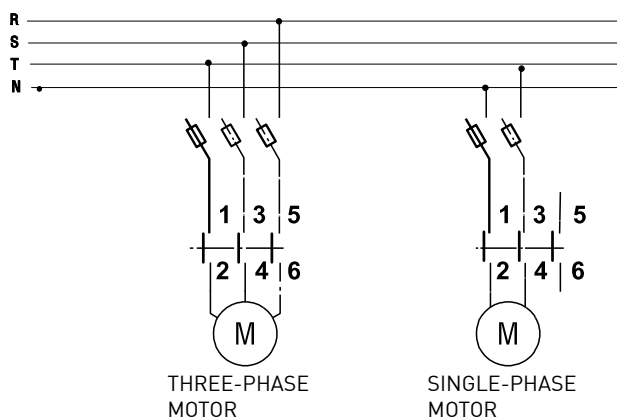
Double breaking switch for each pole, contacts in silver alloy.

Contacts are opening when pressure increases



In case of single-phase motors just two poles are connected

EXAMPLE OF ELECTRICAL WIRING



| | |
|---|-------------|
| Nominal insulation tension | Ui 415V~ |
| Continuous duty nominal current | Ith 25A |
| Operating nominal current in AC-1 | le 20A |
| Operating nominal current in AC-3 | le 9A |
| Powers controlled by the three-phase motors in AC3: | |
| 220/250V | 380/415V~ |
| 2,2kW/(3HP) | 4kW/(5,5HP) |

HOMOLOGATION AND STANDARDS

Complies with EN 60947-4-1 standards.

INSTALLATION

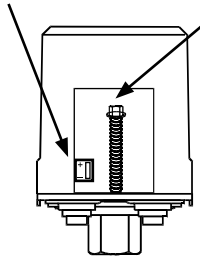
Direct installation on the pipe.

OPERATION

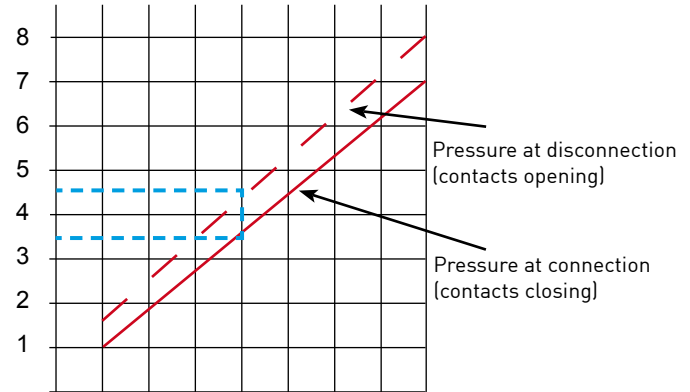
Contacts are opening when pressure rises.

Three-pole contact allows the control of single-phase or three-phase motors up to 9A, without contactor.

Pressure differential regulation at disconnection



Pressure regulation at connection: pressure value rises on screwing



* EXAMPLE: Pressure at connection 3,5 bar
Pressure at disconnection 4,5 bar

FEATURES

Sensitive element with friction membrane.

Adjustable differential.

Flange connection G 1/4.

Cover in shockproof thermoplastic material.

Metallic parts are in stainless steel.

Earth clamp.

Output connections with two cable glands.

Maximum temperature of the controlled fluid: 90°C.

Pressure switch body admissible temperature: -15 ÷ 60°C.

Storage and transport temperature: -35 ÷ 60°C.

Unit weight: 0,39 Kg.